

AMERICAN CRAFTSMAN WINDOWS SILVER LINE WINDOWS AND DOORS

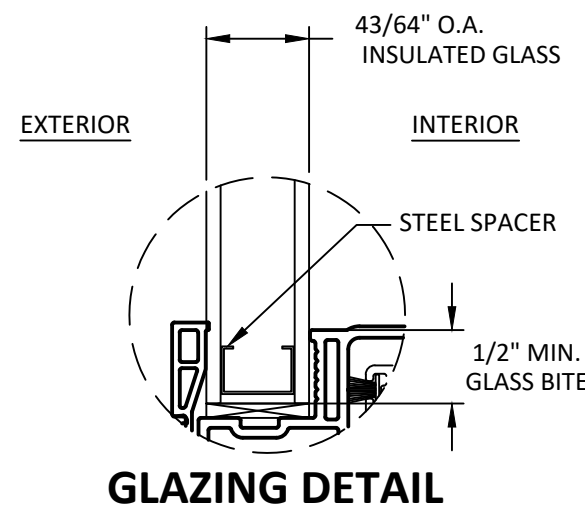
70 SERIES / V1 SERIES / (2907/4907) SINGLE-HUNG WINDOWS (NON-HVHZ)(NON-IMPACT)

GENERAL NOTES:

- THE PRODUCT SHOWN HEREIN IS DESIGNED AND MANUFACTURED TO COMPLY WITH THE CURRENT EDITION FLORIDA BUILDING CODE (FBC), EXCLUDING HVHZ AND HAS BEEN EVALUATED ACCORDING TO THE FOLLOWING:
 - AAMA/WDMA/CSA 101/I.S.2/A440-11
- ADEQUACY OF THE EXISTING STRUCTURAL CONCRETE/MASONRY, 2X FRAMING, AND METAL FRAMING AS A MAIN WIND FORCE RESISTING SYSTEM CAPABLE OF WITHSTANDING AND TRANSFERRING APPLIED PRODUCT LOADS TO THE FOUNDATION IS THE RESPONSIBILITY OF THE ENGINEER OR ARCHITECT OF RECORD FOR THE PROJECT OF INSTALLATION.
- 1X AND 2X BUCKS (WHEN USED) SHALL BE DESIGNED AND ANCHORED TO PROPERLY TRANSFER ALL LOADS TO THE STRUCTURE. BUCK DESIGN AND INSTALLATION IS THE RESPONSIBILITY OF THE ENGINEER OR ARCHITECT OF RECORD FOR THE PROJECT OF INSTALLATION.
- THE INSTALLATION DETAILS DESCRIBED HEREIN ARE GENERIC AND MAY NOT REFLECT ACTUAL CONDITIONS FOR A SPECIFIC SITE. IF SITE CONDITIONS CAUSE INSTALLATION TO DEVIATE FROM THE REQUIREMENTS DETAILED HEREIN, A LICENSED ENGINEER OR ARCHITECT SHALL PREPARE SITE SPECIFIC DOCUMENTS FOR USE WITH THIS DOCUMENT IN NON-HVHZ AREAS.
- APPROVED IMPACT PROTECTIVE SYSTEM **IS REQUIRED** ON THIS PRODUCT IN AREAS REQUIRING IMPACT RESISTANCE.
- WINDOW FRAME MATERIAL: PVC
- GLASS SHALL MEET THE REQUIREMENTS OF ASTM E 1300 GLASS CHARTS. SEE SHEET 1 FOR GLAZING DETAILS.

DESIGN PRESSURE TABLE			
SIZE	CONFIGURATION	DESIGN PRESSURE	MISSILE IMPACT RATING
40.0" X 68.0"	O/X	+35/-35 PSF	NON-IMPACT
44.0" X 60.0"	O/X	+35/-35 PSF	NON-IMPACT
48.0" X 84.0"	O/X	+20/-20 PSF	NON-IMPACT
80.0" X 84.0"	O/X-O/X	+15/-15 PSF	NON-IMPACT
64.0" X 68.0"	O/X-O/X	+35/-35 PSF	NON-IMPACT
80.0" X 82.0"	O/X-O/X	+20/-20 PSF	NON-IMPACT
90.0" X 74.0"	O/X-O/X	+15/-15 PSF	NON-IMPACT
71.5" X 60.0"	O/X-O/X	+35/-35 PSF	NON-IMPACT
107.0" X 62.0"	O/X-O/X-O/X	+35/-35 PSF	NON-IMPACT
107.0" X 74.0"	O/X-O/X-O/X	+20/-20 PSF	NON-IMPACT

TABLE OF CONTENTS		
SHEET	REVISION	SHEET DESCRIPTION
1	-	GENERAL NOTES & GLAZING DETAILS
2	-	ELEVATION & ANCHOR LAYOUTS
3	-	ELEVATION & ANCHOR LAYOUTS
4	-	ELEVATION & ANCHOR LAYOUTS
5	-	VERTICAL SECTIONS
6	-	HORIZONTAL SECTIONS
7	-	ANCHOR DETAILS
8	-	ANCHOR STRAP DETAIL, INSTALLATION NOTES AND ANCHOR SCHEDULE



GLAZING NOTES:

- GLASS TYPE & THICKNESS SHALL COMPLY WITH ASTM E1300 REQUIREMENTS AS WELL AS APPLICABLE SAFETY GLAZING REQUIREMENTS PER THE FBC. TEMPER AND SAFETY GLAZING REQUIREMENTS SHALL BE REVIEWED ON A SITE SPECIFIC BASIS.
- SETTING BLOCK DUROMETER HARDNESS OF 70-90 (SHORE A) AS REFERENCED IN FBC CHAPTER 24.
- SETTING BLOCKS TO BE LOCATED AT 1/4 SPAN LENGTH FOR GLASS WIDER THAN 36" AS PER FBC CHAPTER 24.
- D.L.O. AND DESIGN PRESSURES MAY NOT EXCEED MAX VALUES IN GLASS CHARTS.

AMERICAN CRAFTSMAN WINDOWS
SILVER LINE WINDOWS AND DOORS

ONE SILVER LINE DRIVE
NORTH BRUNSWICK, NJ 08902
PH: (888) 741-0354

TITLE: 70 SERIES/V1 SERIES/(2907/4907)
SINGLE-HUNG WINDOWS
(NON-HVHZ)(NON-IMPACT)

GENERAL NOTES & GLAZING DETAILS

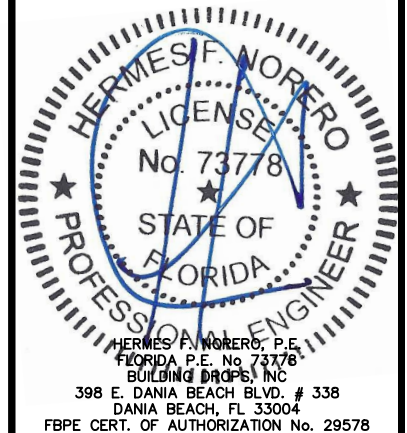
PREPARED BY:

BUILDING DROPS, INC.
398 E. DANIA BEACH BLVD., STE. 338
DANIA BEACH, FL 33004
PH: (954) 399-8478
FAX: (954) 744-4738
WEB: www.buildingdrops.com



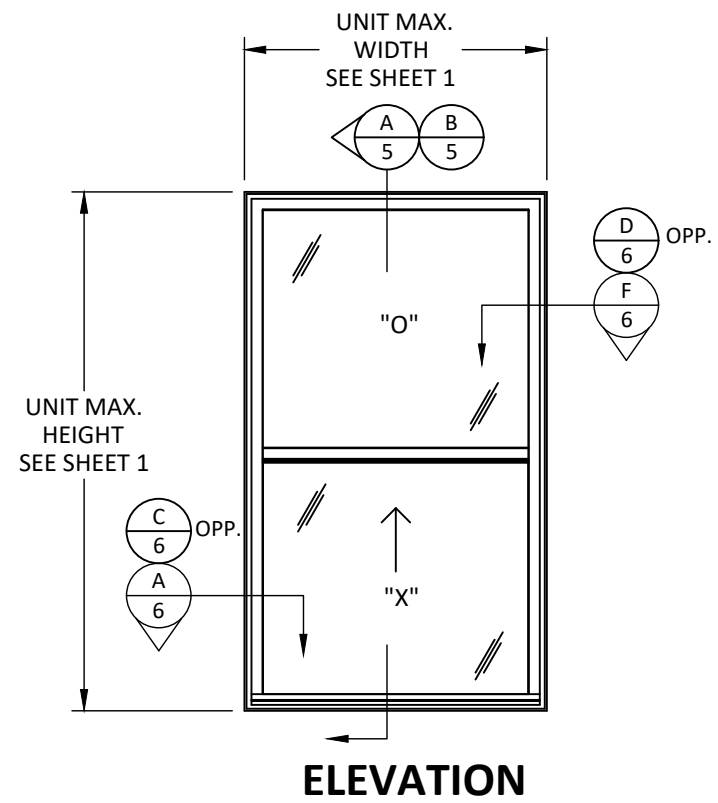
REMARKS	BY	DATE
6TH FBC EDITION	FM	10/17
7TH FBC EDITION	NUS	10/14/20

THE INSTALLATION DETAILS DESCRIBED HEREIN ARE GENERIC AND MAY NOT REFLECT ACTUAL CONDITIONS FOR A SPECIFIC SITE. IF SITE CONDITIONS CAUSE INSTALLATION TO DEVIATE FROM THE REQUIREMENTS DETAILED HEREIN, A LICENSED ENGINEER OR ARCHITECT SHALL PREPARE SITE SPECIFIC DOCUMENTS FOR USE WITH THIS DOCUMENT.

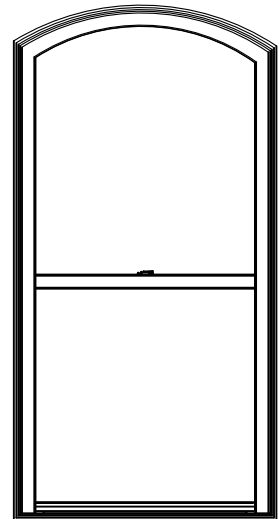


FL #:	FL14911
DATE:	07.02.2018
DWG. BY:	JA
CHK. BY:	HFN
SCALE:	NTS
DWG. #:	SWD053
SHEET:	1
	OF 8

10/21/2020 3:35 PM

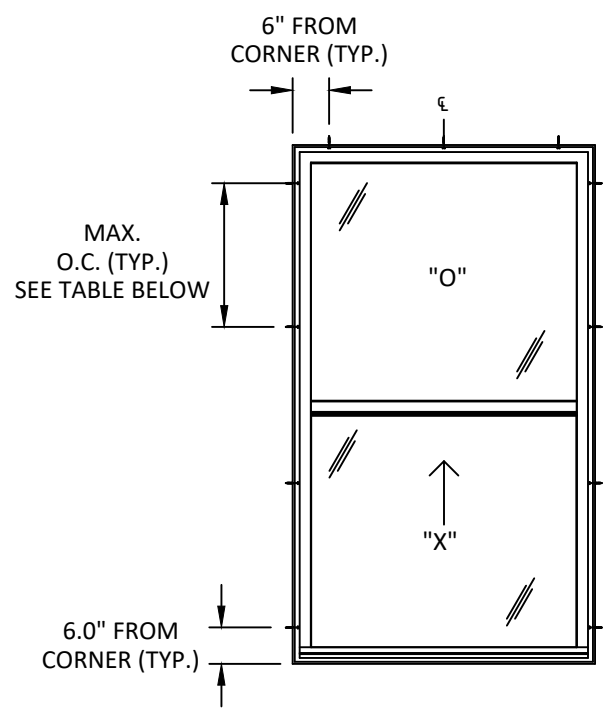


ELEVATION



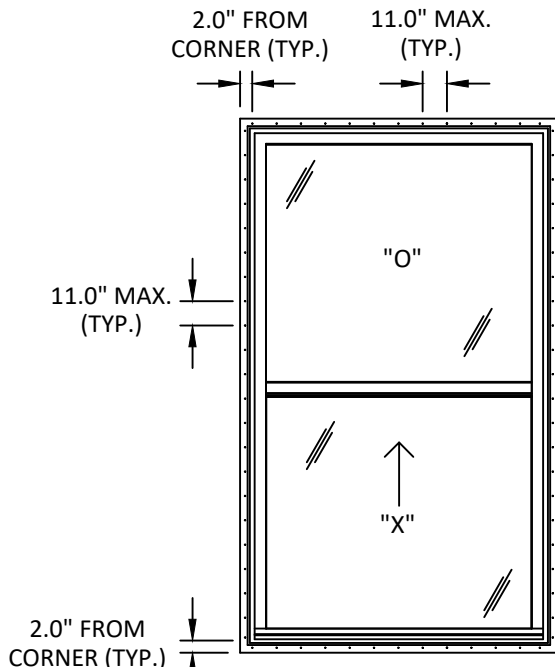
QUALIFIED CONFIGURATIONS

ARCH TOP CONFIGURATIONS FOR ALL 2907-4907 RATINGS, SINGLE UNIT CONFIGURATIONS



ANCHOR LAYOUT THROUGH FRAME

ANCHOR SCHEDULE			
PRODUCT SIZE	FROM CORNERS	MAX. O.C. AT HEAD	MAX. O.C. AT JAMBS
40.0" X 68.0"	6"	14.0"	18.5"
44.0" X 60.0"	6"	16.0"	16.0"
48.0" X 84.0"	6"	18.0"	24.0"



ANCHOR LAYOUT NAIL FIN

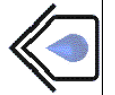
AMERICAN CRAFTSMAN WINDOWS
SILVER LINE WINDOWS AND DOORS

ONE SILVER LINE DRIVE
NORTH BRUNSWICK, NJ 08902
PH: (888) 741-0354

TITLE: 70 SERIES/V1 SERIES/(2907/4907)
SINGLE-HUNG WINDOWS
(NON-HVHZ)(NON-IMPACT)

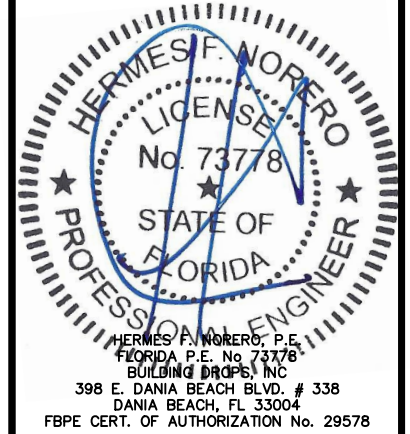
ELEVATION & ANCHOR LAYOUTS

PREPARED BY:
BUILDING DROPS, INC.
398 E. DANIA BEACH BLVD., STE. 338
DANIA BEACH, FL 33004
PH: (954) 359-8478
FAX: (954) 744-4738
WEB: www.buildingdrops.com



REMARKS	BY	DATE
6TH FBC EDITION	FM	10/17
7TH FBC EDITION	NUS	10/14/20

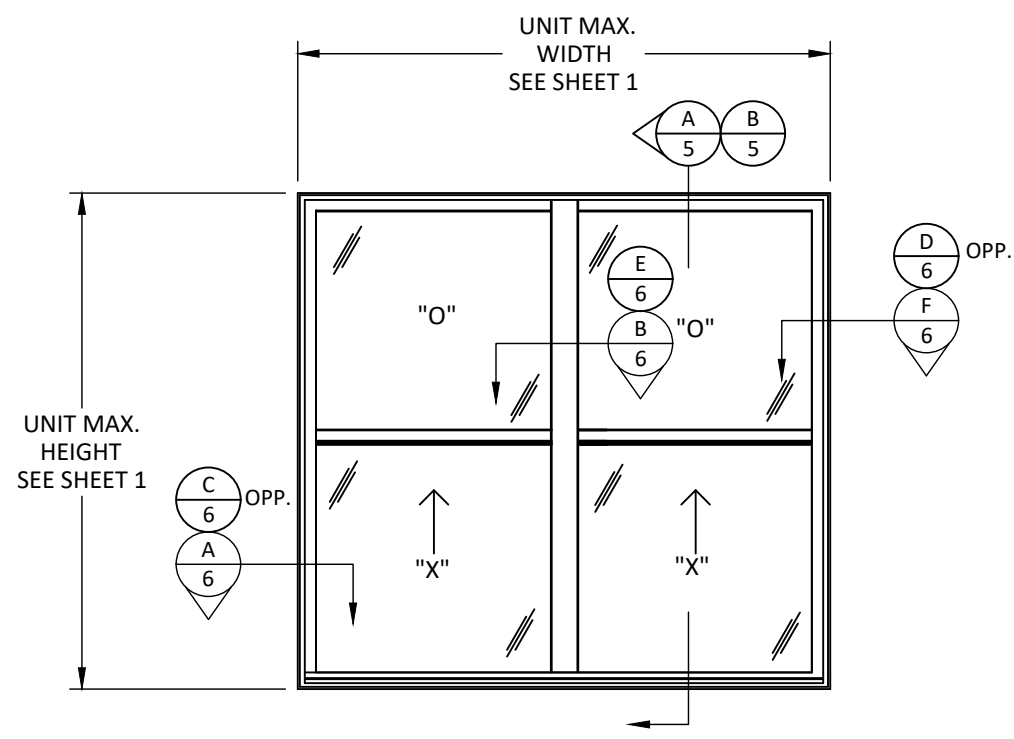
THE INSTALLATION DETAILS DESCRIBED HEREIN ARE GENERIC AND MAY NOT REFLECT ACTUAL CONDITIONS FOR A SPECIFIC SITE. IF SITE CONDITIONS CAUSE INSTALLATION TO DEVIATE FROM THE REQUIREMENTS DETAILED HEREIN, A LICENSED ENGINEER OR ARCHITECT SHALL PREPARE SITE SPECIFIC DOCUMENTS FOR USE WITH THIS DOCUMENT.



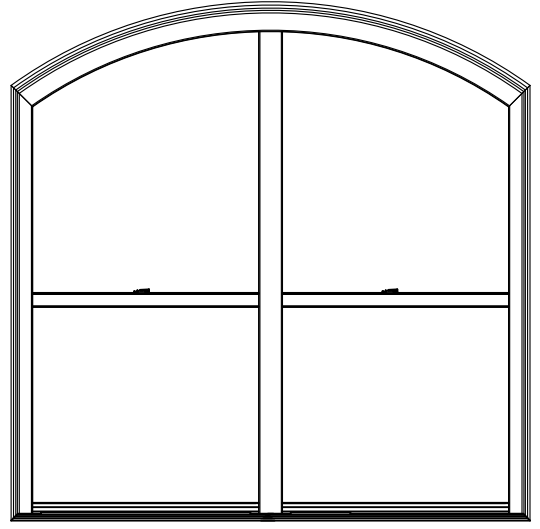
FL #:	FL14911
DATE:	07.02.2018
DWG. BY:	JA
CHK. BY:	HFN
SCALE:	NTS
DWG. #:	SWD053

SHEET:
2
OF 8

10/21/2020 3:35 PM



ELEVATION



QUALIFIED CONFIGURATIONS

ARCH TOP CONFIGURATIONS FOR ALL 2907-4907 RATINGS, TWIN UNIT CONFIGURATIONS

AMERICAN CRAFTSMAN WINDOWS
SILVER LINE WINDOWS AND DOORS

ONE SILVER LINE DRIVE
NORTH BRUNSWICK, NJ 08902
PH: (888) 741-0354

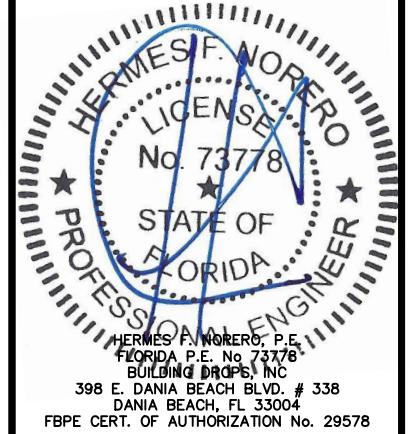
TITLE: 70 SERIES/V1 SERIES/(2907/4907)
SINGLE-HUNG WINDOWS
(NON-HVHZ)/(NON-IMPACT)

ELEVATION & ANCHOR LAYOUTS

PREPARED BY: BUILDING DROPS, INC.
398 E. DANIA BEACH BLVD., STE. 338
DANIA BEACH, FL 33004
PH: (954) 359-8478
FAX: (954) 744-4738
WEB: www.buildingdrops.com

REMARKS	BY	DATE
6TH FBC EDITION	FM	10/17
7TH FBC EDITION	NUS	10/14/20

THE INSTALLATION DETAILS DESCRIBED HEREIN ARE GENERIC AND MAY NOT REFLECT ACTUAL CONDITIONS FOR A SPECIFIC SITE. IF SITE CONDITIONS CAUSE INSTALLATION TO DEVIATE FROM THE REQUIREMENTS DETAILED HEREIN, A LICENSED ENGINEER OR ARCHITECT SHALL PREPARE SITE SPECIFIC DOCUMENTS FOR USE WITH THIS DOCUMENT.



FL #: **FL14911**

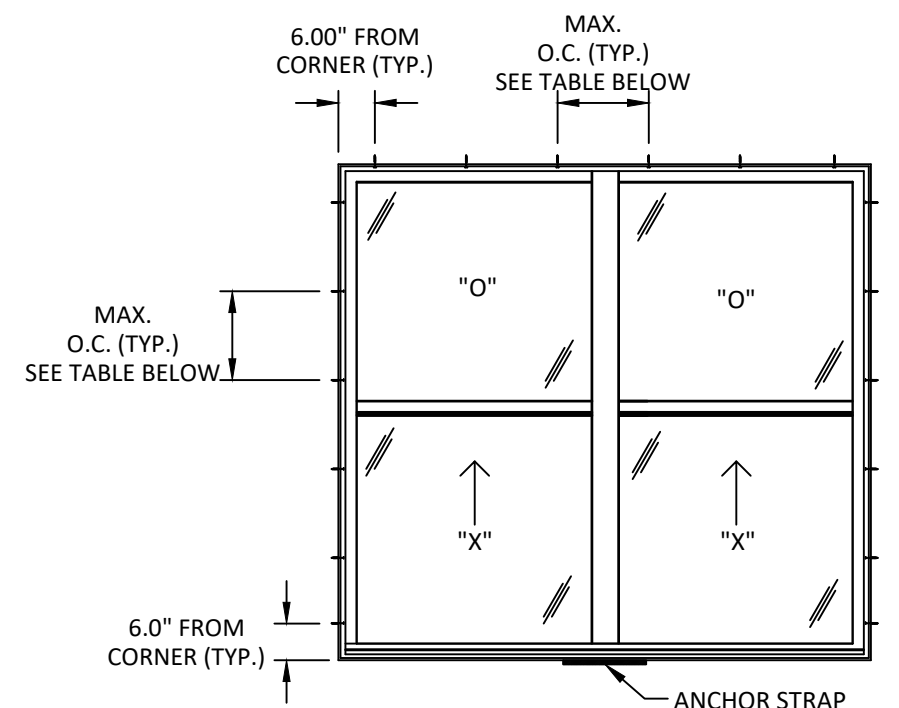
DATE: **07.02.2018**

DWG. BY: **JA** CHK. BY: **HFN**

SCALE: **NTS**

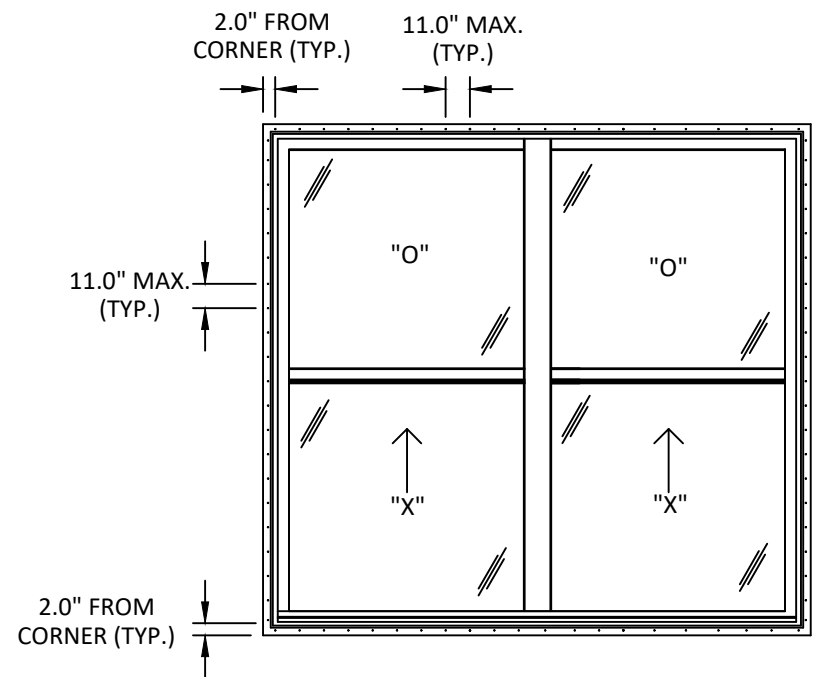
DWG. #: **SWD053**

SHEET: **3** OF 8



ANCHOR LAYOUT THROUGH FRAME

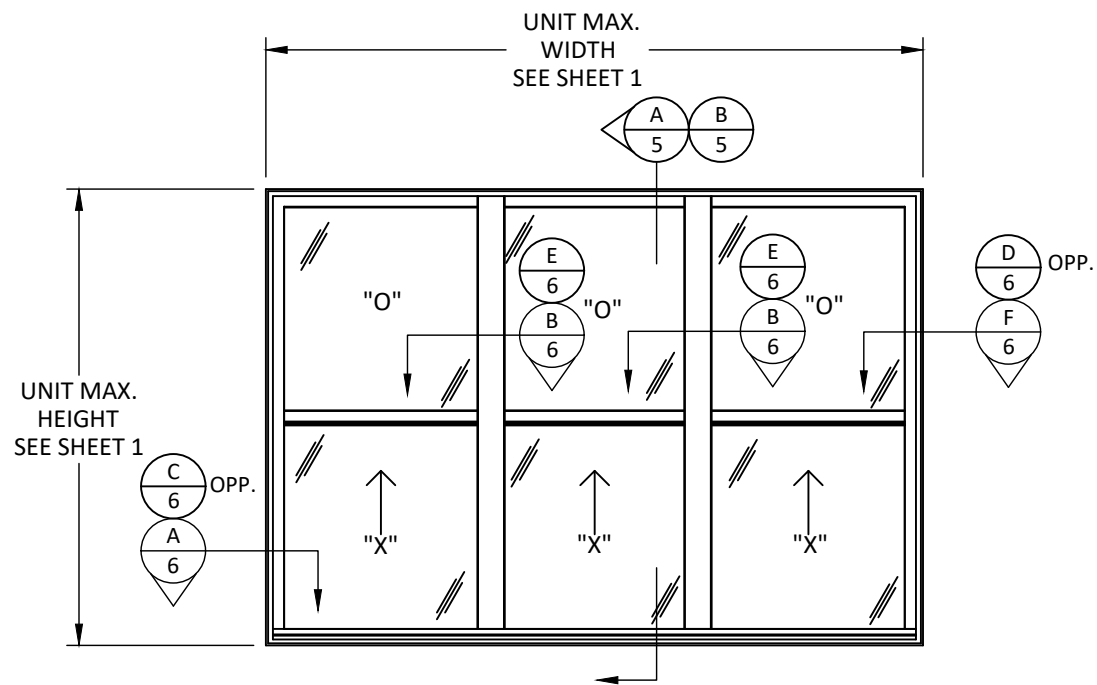
ANCHOR SCHEDULE			
PRODUCT SIZE	FROM CORNERS	MAX. O.C. AT HEAD	MAX. O.C. AT JAMBS
80.0" X 84.0"	6"	22.5"	24.0"
64.0" X 68.0"	6"	17.25"	11.0"
80.0" X 82.0"	6"	22.5"	17.5"
90.0" X 84.0"	6"	19.5"	24.0"
71.5" X 60.0"	6"	19.75"	12.0"



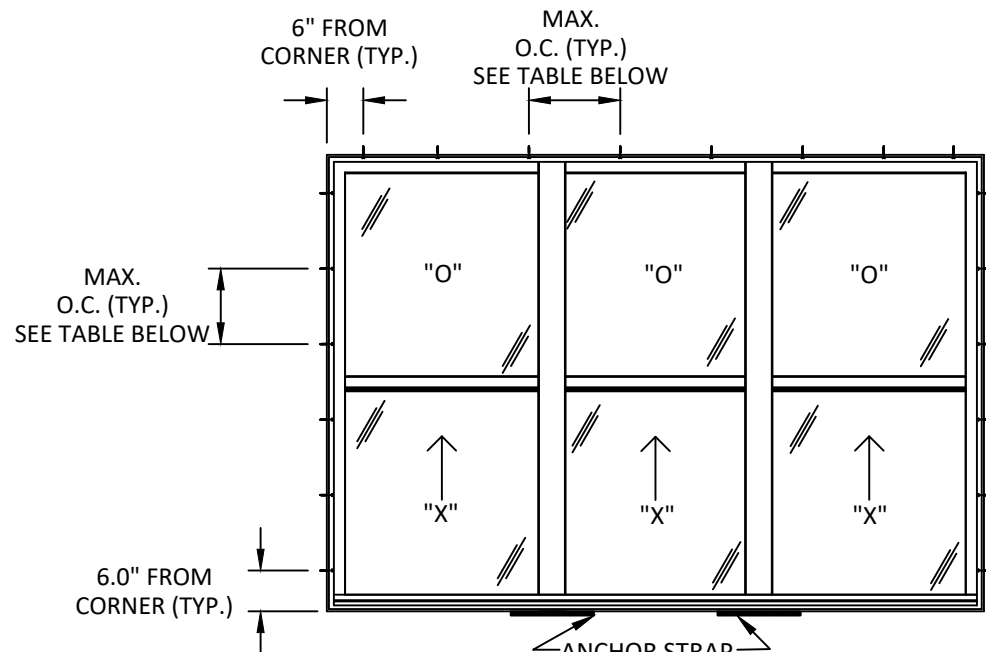
ANCHOR LAYOUT NAIL FIN

s:\projects\silver line windows and doors\cc-20-0920-fbc code change (ver. 7)\dwg\fl14911_swd053.dwg

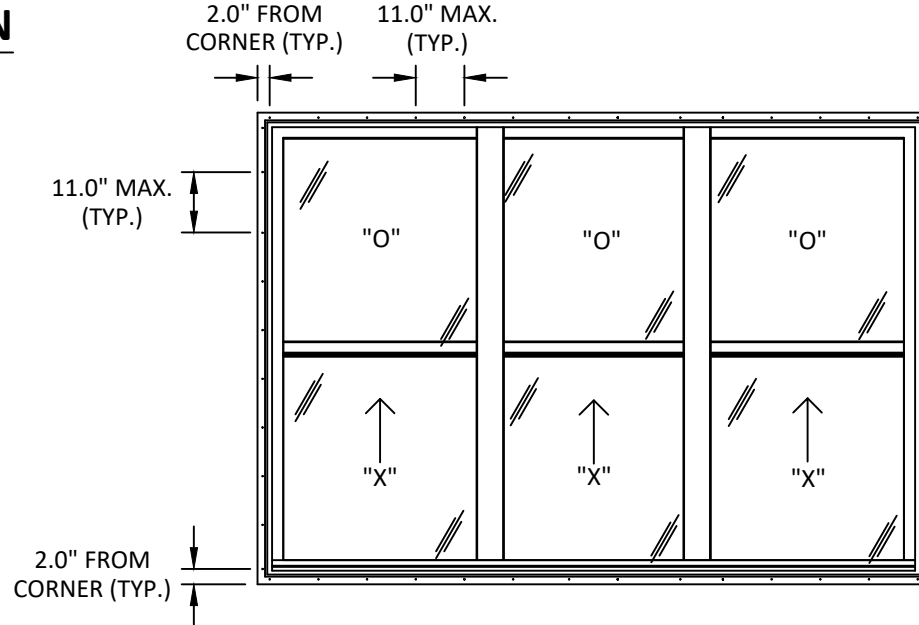
10/21/2020 3:35 PM
s:\projects\silver line windows and doors\cc-20-0920-fbc code change (ver. 7)\dwg\fl14911_swd053.dwg



ELEVATION



ANCHOR LAYOUT THROUGH FRAME



ANCHOR LAYOUT NAIL FIN

ANCHOR SCHEDULE			
PRODUCT SIZE	FROM CORNERS	MAX. O.C. AT HEAD	MAX. O.C. AT JAMBS
107.0" X 62.0"	6"	24.0"	7.0"
107.0" X 74.0"	6"	24.0"	12.25"

AMERICAN CRAFTSMAN WINDOWS
SILVER LINE WINDOWS AND DOORS

ONE SILVER LINE DRIVE
NORTH BRUNSWICK, NJ 08902
PH: (888) 741-0354

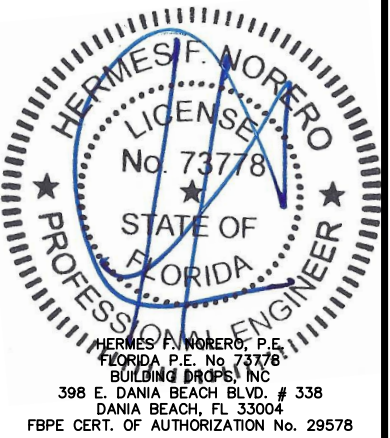
TITLE: 70 SERIES/V1 SERIES/(2907/4907)
SINGLE-HUNG WINDOWS
(NON-HVHZ)/(NON-IMPACT)

ELEVATION & ANCHOR LAYOUTS

PREPARED BY:
BUILDING DROPS, INC.
398 E. DANIA BEACH BLVD., STE. 338
DANIA BEACH, FL 33004
PH: (954) 399-8478
FAX: (954) 744-4738
WEB: www.buildingdrops.com

REMARKS	BY	DATE
6TH FBC EDITION	FM	10/17
7TH FBC EDITION	NUS	10/14/20

THE INSTALLATION DETAILS DESCRIBED HEREIN ARE GENERIC AND MAY NOT REFLECT ACTUAL CONDITIONS FOR A SPECIFIC SITE. IF SITE CONDITIONS CAUSE INSTALLATION TO DEVIATE FROM THE REQUIREMENTS DETAILED HEREIN, A LICENSED ENGINEER OR ARCHITECT SHALL PREPARE SITE SPECIFIC DOCUMENTS FOR USE WITH THIS DOCUMENT.



FL #: **FL14911**

DATE: **07.02.2018**

DWG. BY: **JA** CHK. BY: **HFN**

SCALE: **NTS**

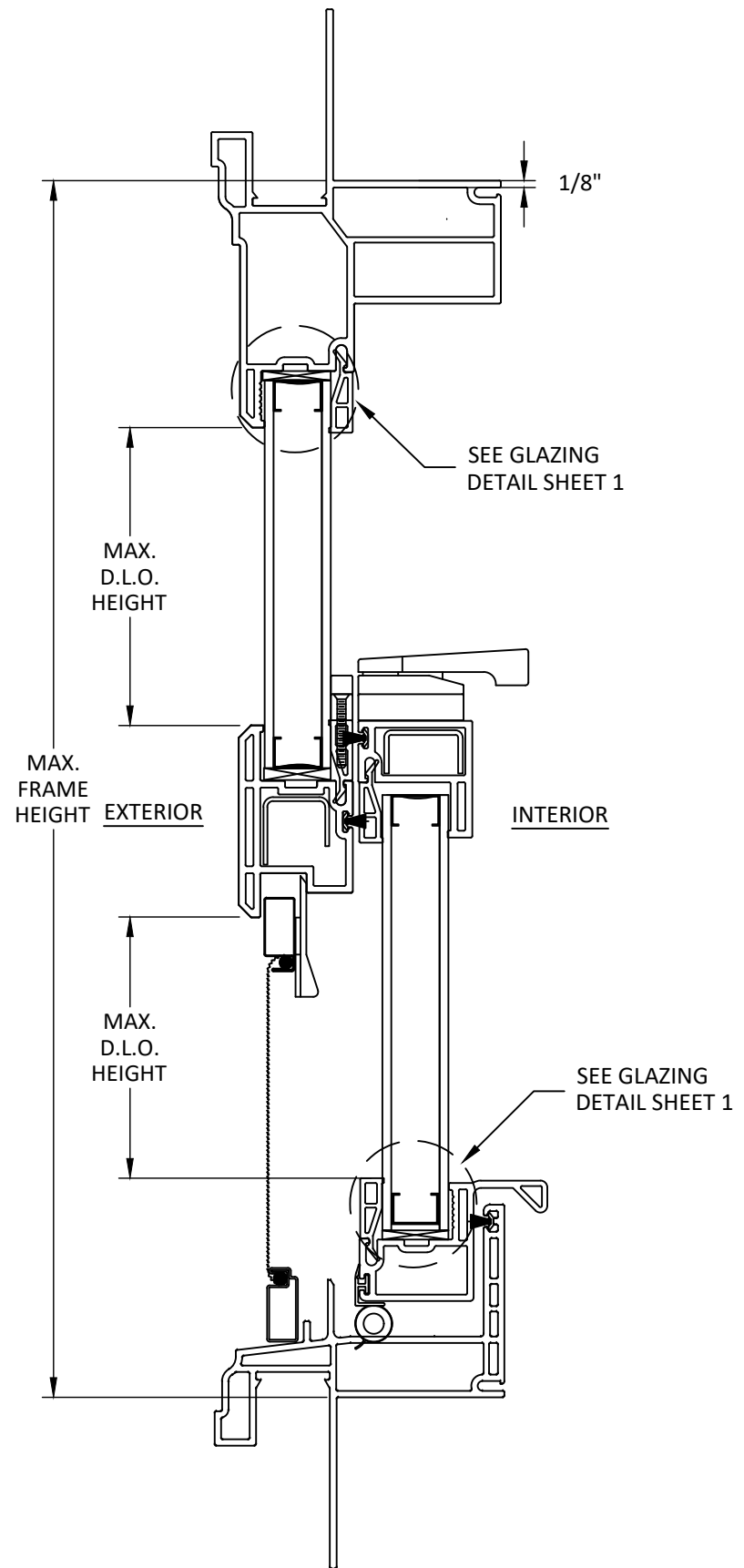
DWG. #: **SWD053**

SHEET:

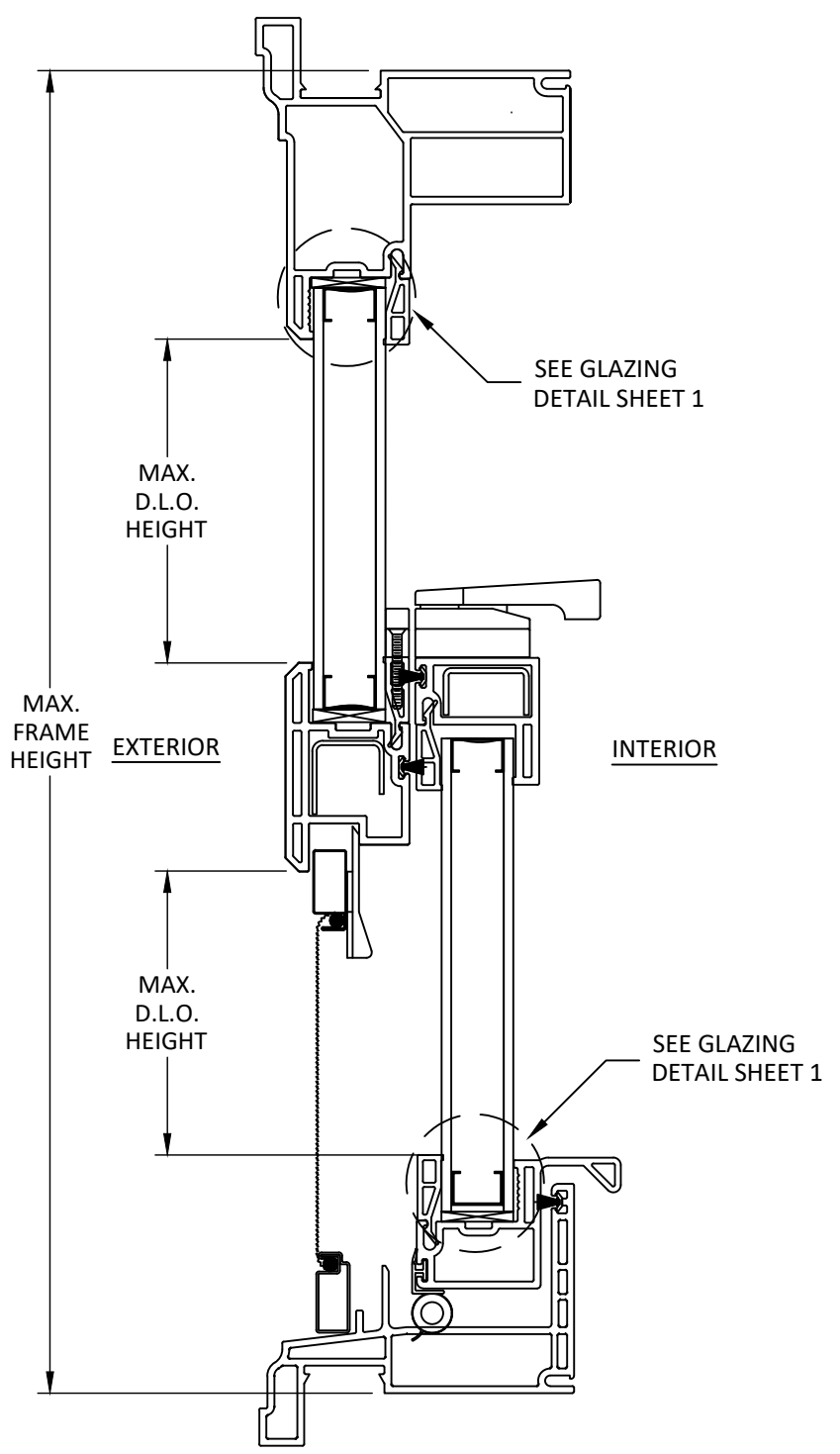
4

OF 8

10/21/2020 3:35 PM
s:\projects\silver line windows and doors\cc-20-0920-fbc code change (ver. 7)\dwg\fl14911_swd053.dwg



A
5 VERTICAL SECTION
NAIL FIN INSTALLATION



B
5 VERTICAL SECTION
THROUGH FRAME INSTALLATION

AMERICAN CRAFTSMAN WINDOWS
SILVER LINE WINDOWS AND DOORS

ONE SILVER LINE DRIVE
NORTH BRUNSWICK, NJ 08902
PH: (888) 741-0354

TITLE: 70 SERIES/V1 SERIES/(2907/4907)
SINGLE-HUNG WINDOWS
(NON-HVHZ)/(NON-IMPACT)

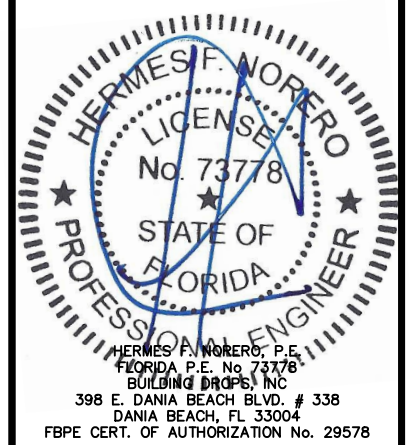
VERTICAL SECTIONS

PREPARED BY:
BUILDING DROPS, INC.
398 E. DANIA BEACH BLVD., STE. 338
DANIA BEACH, FL 33004
PH: (954) 399-8478
FAX: (954) 744-4738
WEB: www.buildingdrops.com



REMARKS	BY	DATE
6TH FBC EDITION	FM	10/17
7TH FBC EDITION	NUS	10/14/20

THE INSTALLATION DETAILS DESCRIBED HEREIN ARE GENERIC AND MAY NOT REFLECT ACTUAL CONDITIONS FOR A SPECIFIC SITE. IF SITE CONDITIONS CAUSE INSTALLATION TO DEVIATE FROM THE REQUIREMENTS DETAILED HEREIN, A LICENSED ENGINEER OR ARCHITECT SHALL PREPARE SITE SPECIFIC DOCUMENTS FOR USE WITH THIS DOCUMENT.



FL #:

FL14911

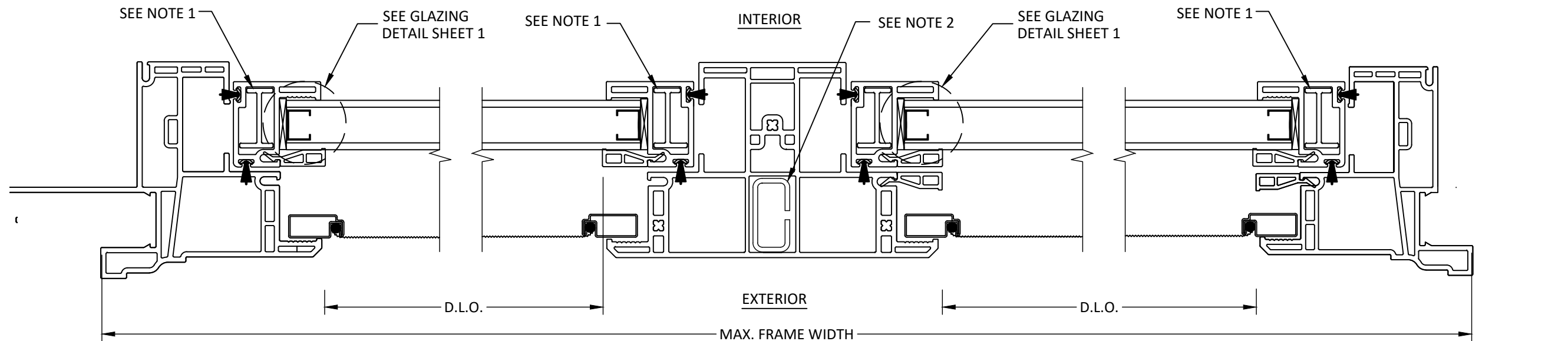
DATE: **07.02.2018**

DWG. BY:	CHK. BY:
JA	HFN

SCALE: **NTS**

DWG. #: **SWD053**

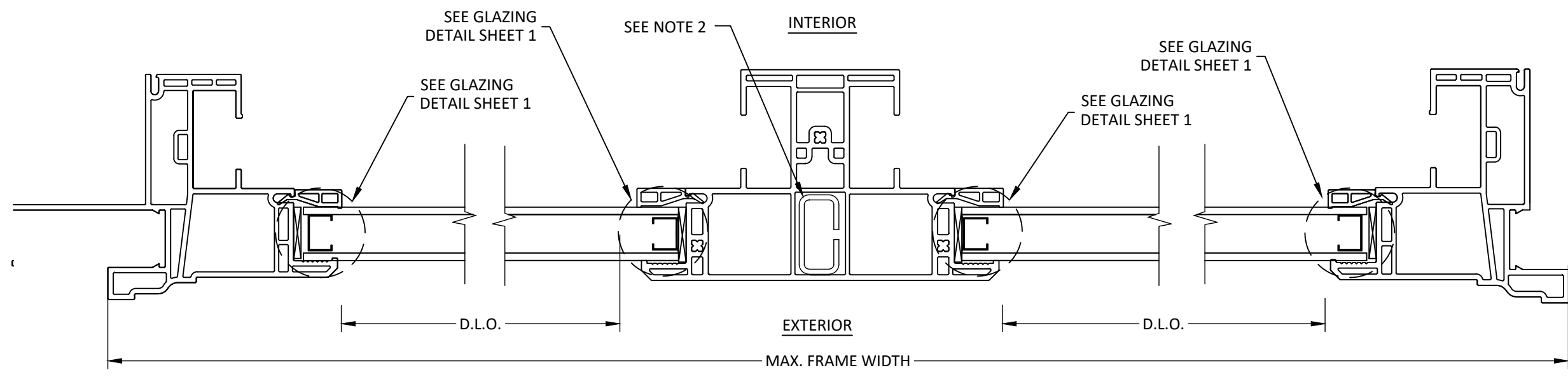
10/21/2020 3:35 PM
s:\projects\silver_line_windows_and_doors\cc-20-0920-fbc code change (ver. 7)\dwgs\fl14911_swd053.dwg



A **HORIZONTAL SECTION**
LOWER SASH NAIL FIN INSTALLATION

B **HORIZONTAL SECTION**
MULLION

C **HORIZONTAL SECTION**
LOWER SASH THROUGH FRAME INSTALLATION



D **HORIZONTAL SECTION**
UPPER SASH NAIL FIN INSTALLATION

E **HORIZONTAL SECTION**
MULLION

F **HORIZONTAL SECTION**
UPPER SASH THROUGH FRAME INSTALLATION

NOTES:

- REINFORCEMENT REQUIRED FOR:
48.0" X 84.0", O/X, DESIGN PRESSURE +20/-20
80.0" X 84.0", O/X-OX, DESIGN PRESSURE +15/-15
- REINFORCEMENT NOT REQUIRED FOR:
80.0" X 62.0", O/X-OX, DESIGN PRESSURE +20/-20

AMERICAN CRAFTSMAN WINDOWS
SILVER LINE WINDOWS AND DOORS

ONE SILVER LINE DRIVE
NORTH BRUNSWICK, NJ 08902
PH: (888) 741-0354

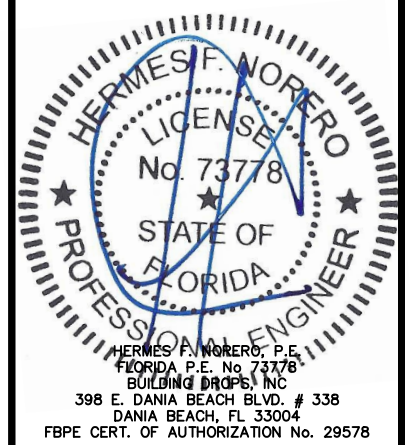
TITLE: 70 SERIES/V1 SERIES/(2907/4907)
SINGLE-HUNG WINDOWS
(NON-HVHZ)/(NON-IMPACT)

HORIZONTAL SECTION

PREPARED BY: BUILDING DROPS, INC.
398 E. DANIA BEACH BLVD., STE. 338
DANIA BEACH, FL 33004
PH: (954) 399-8478
FAX: (954) 744-4738
WEB: www.buildingdrops.com

REMARKS	BY	DATE
6TH FBC EDITION	FM	10/17
7TH FBC EDITION	NUS	10/14/20

THE INSTALLATION DETAILS DESCRIBED HEREIN ARE GENERIC AND MAY NOT REFLECT ACTUAL CONDITIONS FOR A SPECIFIC SITE. IF SITE CONDITIONS CAUSE INSTALLATION TO DEVIATE FROM THE REQUIREMENTS DETAILED HEREIN, A LICENSED ENGINEER OR ARCHITECT SHALL PREPARE SITE SPECIFIC DOCUMENTS FOR USE WITH THIS DOCUMENT.



FL #: **FL14911**

DATE: **07.02.2018**

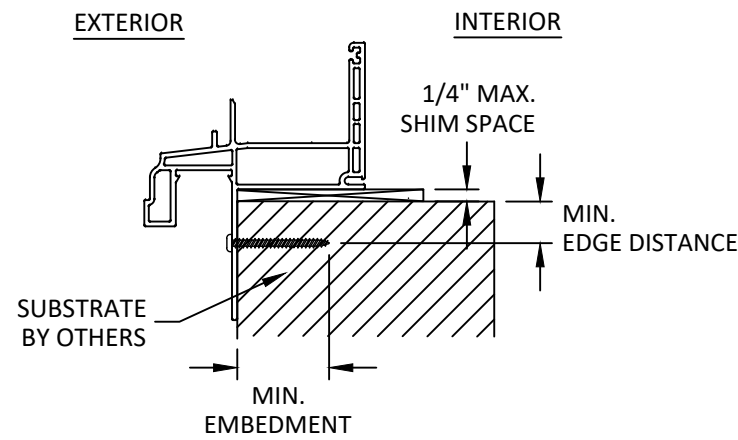
DWG. BY: JA	CHK. BY: HFN
--------------------	---------------------

SCALE: **NTS**

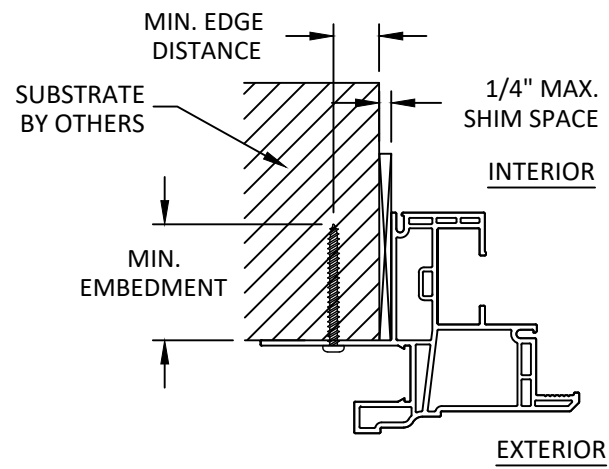
DWG. #: **SWD053**

SHEET: **6** OF 8

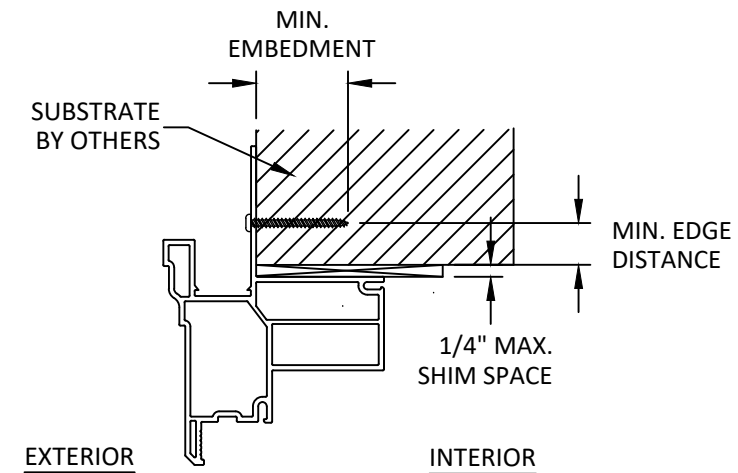
s:\projects\silver line windows and doors\cc-20-0920-fbc code change (ver. 7)\dwg\fl14911_swd053.dwg 10/21/2020 3:35 PM



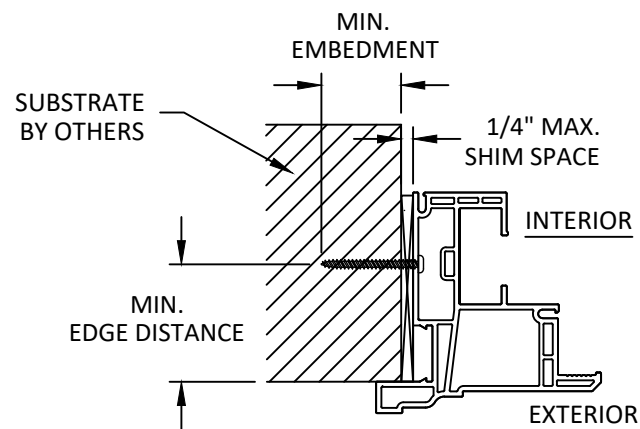
A
7 ANCHOR DETAIL
NAIL FIN (SILL)



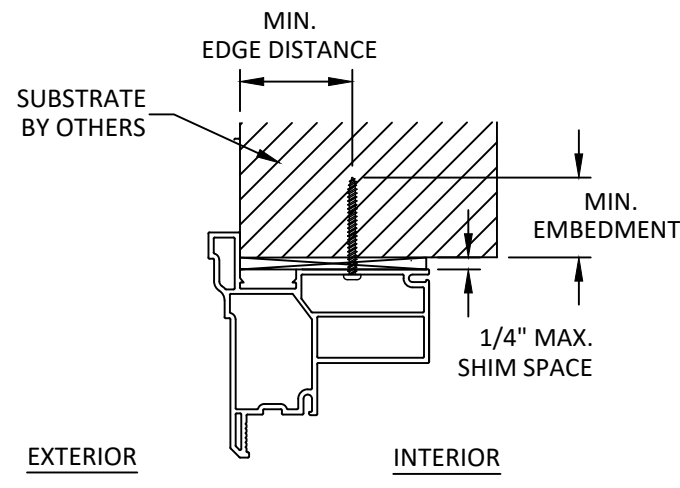
B
7 ANCHOR DETAIL
NAIL FIN (JAMB)



C
7 ANCHOR DETAIL
NAIL FIN (HEAD)



D
7 ANCHOR DETAIL
THROUGH FRAME (JAMB)



E
7 ANCHOR DETAIL
THROUGH FRAME (HEAD)

AMERICAN CRAFTSMAN WINDOWS
SILVER LINE WINDOWS AND DOORS

ONE SILVER LINE DRIVE
NORTH BRUNSWICK, NJ 08902
PH: (888) 741-0354

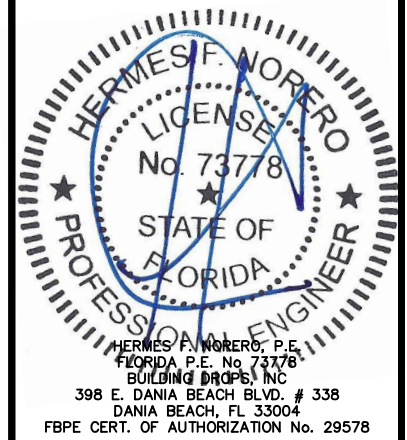
TITLE:
70 SERIES/V1 SERIES/(2907/4907)
SINGLE-HUNG WINDOWS
(NON-HVHZ)/(NON-IMPACT)

ANCHOR DETAILS
PREPARED BY:
BUILDING DROPS, INC.
398 E. DANIA BEACH BLVD., STE. 338
DANIA BEACH, FL 33004
PH: (954) 399-8478
FAX: (954) 744-4738
WEB: www.buildingdrops.com

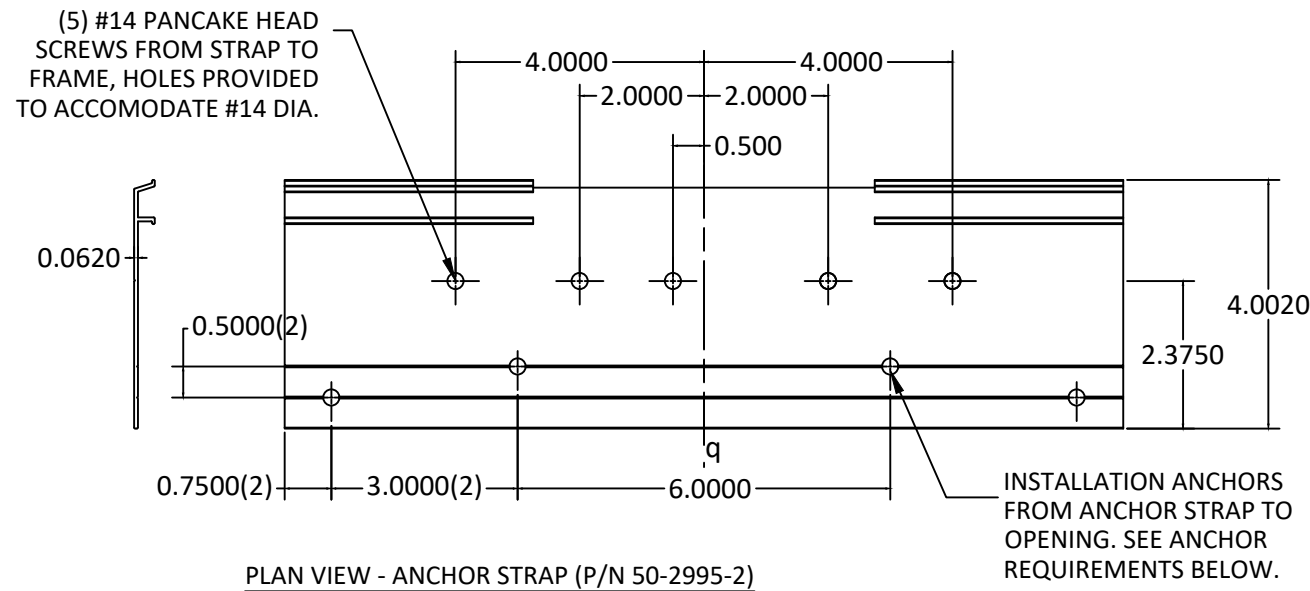


REMARKS	BY	DATE
6TH FBC EDITION	FM	10/17
7TH FBC EDITION	NUS	10/14/20

THE INSTALLATION DETAILS DESCRIBED HEREIN ARE GENERIC AND MAY NOT REFLECT ACTUAL CONDITIONS FOR A SPECIFIC SITE. IF SITE CONDITIONS CAUSE INSTALLATION TO DEVIATE FROM THE REQUIREMENTS DETAILED HEREIN, A LICENSED ENGINEER OR ARCHITECT SHALL PREPARE SITE SPECIFIC DOCUMENTS FOR USE WITH THIS DOCUMENT.



FL #:	FL14911
DATE:	07.02.2018
DWG. BY:	JA
CHK. BY:	HFN
SCALE:	NTS
DWG. #:	SWD053
SHEET:	7



ANCHOR STRAP ANCHORING REQUIREMENTS:

- A. FOR INSTALLATION TO CONCRETE/MASONRY, USE (4) 3/16" ITW TAPCONS PER STRAP, MIN. 1-1/4" EMBEDMENT, MIN. 1-3/4" EDGE DISTANCE.
- B. FOR INSTALLATION TO METAL STUD, USE (4) #10 SELF-DRILLING SCREWS, GR. 5, PER STRAP. MIN. 3 THREADS PENETRATION, MIN. 3/4" EDGE DISTANCE.
- C. FOR INSTALLATION TO WOOD, USE (4) #10 WOOD SCREWS PER STRAP. MIN. 1-1/2" EMBEDMENT, MIN. 1" EDGE DISTANCE.

INSTALLATION NOTES:

1. ONE (1) INSTALLATION ANCHOR IS REQUIRED AT EACH ANCHOR LOCATION SHOWN.
2. THE NUMBER OF INSTALLATION ANCHORS DEPICTED IS THE MINIMUM NUMBER OF ANCHORS TO BE USED FOR PRODUCT INSTALLATION OF THE MAXIMUM SIZE LISTED.
3. INSTALL INDIVIDUAL INSTALLATION ANCHORS WITHIN A TOLERANCE OF ±1/2 INCH THE DEPICTED LOCATION & SPACING IN THE ANCHOR LAYOUT DETAILS (I.E., WITHOUT CONSIDERATION OF TOLERANCES). TOLERANCES ARE NOT CUMULATIVE FROM ONE INSTALLATION ANCHOR TO THE NEXT.
4. SHIM AS REQUIRED AT EACH INSTALLATION ANCHOR WITH LOAD BEARING SHIM(S). MAXIMUM ALLOWABLE SHIM STACK TO BE 1/4 INCH. SHIM WHERE SPACE OF 1/16 INCH OR GREATER OCCURS. SHIM(S) SHALL BE CONSTRUCTED OF HIGH DENSITY PLASTIC OR BETTER.
5. MINIMUM EMBEDMENT AND EDGE DISTANCE EXCLUDE WALL FINISHES, INCLUDING BUT NOT LIMITED TO STUCCO, FOAM, BRICK VENEER, AND SIDING.
6. FOR MASONRY OF CONCRETE OPENINGS, A 1X WOOD BUCK MAY BE USED (OPTIONAL) AS LONG AS THE MINIMUM EMBEDMENT AND EDGE DISTANCE REQUIREMENTS ARE STILL MET WITHIN THE CORRESPONDING HOST SUBSTRATE, SEE GENERAL NOTE #3 ON SHEET 1 FOR MORE INFORMATION.
7. INSTALLATION ANCHORS AND ASSOCIATED HARDWARE MUST BE MADE OF CORROSION RESISTANT MATERIAL OR HAVE A CORROSION RESISTANT COATING.
8. FOR HOLLOW BLOCK AND GROUT FILLED BLOCK, DO NOT INSTALL INSTALLATION ANCHORS INTO MORTAR JOINTS. EDGE DISTANCE IS MEASURED FROM FREE EDGE OF BLOCK OR EDGE OF MORTAR JOINT INTO FACE SHELL OF BLOCK.
9. INSTALLATION ANCHORS SHALL BE INSTALLED IN ACCORDANCE WITH ANCHOR MANUFACTURER'S INSTALLATION INSTRUCTIONS, AND ANCHORS SHALL NOT BE USED IN SUBSTRATES WITH STRENGTHS LESS THAN THE MINIMUM STRENGTH SPECIFIED BY THE ANCHOR MANUFACTURER.

ANCHOR SCHEDULE				
METHOD	SUBSTRATE	ANCHOR SCHEDULE	MIN EMBEDMENT	MIN. EDGE DISTANCE
THROUGH FRAME	WOOD: MIN. SG=0.55	#10 WOOD SCREW FLAT HEAD	1.50"	0.75"
	METAL: 18 GAUGE Steel, MIN. Fy = 33KSI	#10 TEK SCREW FLAT HEAD	3 THREADS MIN PENETRATION BEYOND METAL	0.50"
	CONCRETE: f'c=3000PSI	3/16" ITW TAPCON PAN HEAD OR HEX HEAD	1.50"	2.25"
	MASONRY: CMU per ASTM C90 MIN. 2000 PSI	3/16" ITW TAPCON PAN HEAD OR HEX HEAD	1.50"	2.00"
NAIL FIN	WOOD: MIN. SG = 0.55	#8 WOOD SCREW	1.50"	0.75"
	METAL: 18 GAUGE STEEL, MIN. Fy = 33KSI	#8 TEK SCREW	3 THREADS MIN PENETRATION BEYOND METAL	0.50"

AMERICAN CRAFTSMAN WINDOWS
SILVER LINE WINDOWS AND DOORS

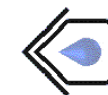
ONE SILVER LINE DRIVE
NORTH BRUNSWICK, NJ 08902
PH: (888) 741-0354

TITLE: 70 SERIES/V1 SERIES/(2907/4907)
SINGLE-HUNG WINDOWS
(NON-HVHZ)/(NON-IMPACT)

ANCHOR STRAP, INSTALLATION NOTES
AND ANCHOR SCHEDULE

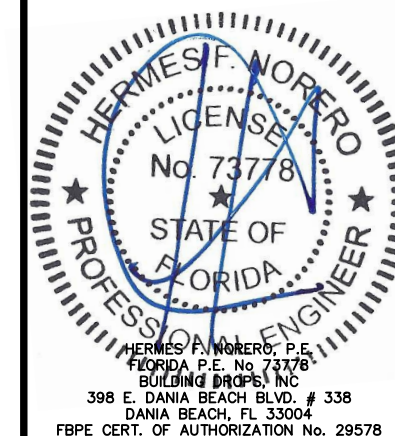
PREPARED BY:

BUILDING DROPS, INC.
398 E. DANIA BEACH BLVD., STE. 338
DANIA BEACH, FL 33004
PH: (954) 399-8478
FAX: (954) 744-4738
WEB: www.buildingdrops.com



REMARKS	BY	DATE
6TH FBC EDITION	FM	10/17
7TH FBC EDITION	NUS	10/14/20

THE INSTALLATION DETAILS DESCRIBED HEREIN ARE GENERIC AND MAY NOT REFLECT ACTUAL CONDITIONS FOR A SPECIFIC SITE. IF SITE CONDITIONS CAUSE INSTALLATION TO DEVIATE FROM THE REQUIREMENTS DETAILED HEREIN, A LICENSED ENGINEER OR ARCHITECT SHALL PREPARE SITE SPECIFIC DOCUMENTS FOR USE WITH THIS DOCUMENT.



FL #:	FL14911
DATE:	07.02.2018
DWG. BY:	JA
CHK. BY:	HFN
SCALE:	NTS
DWG. #:	SWD053

SHEET:

8

OF 8